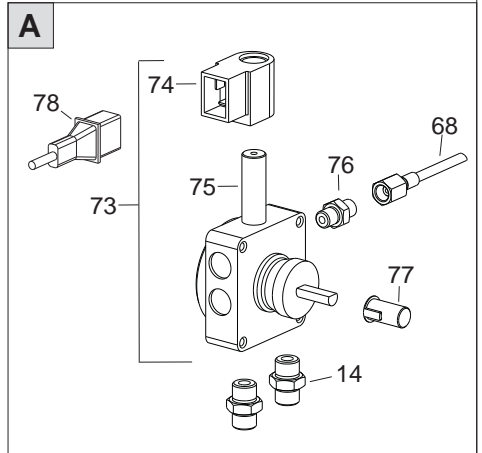
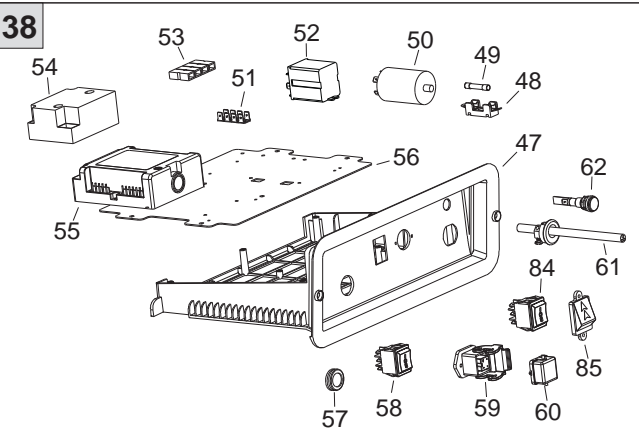
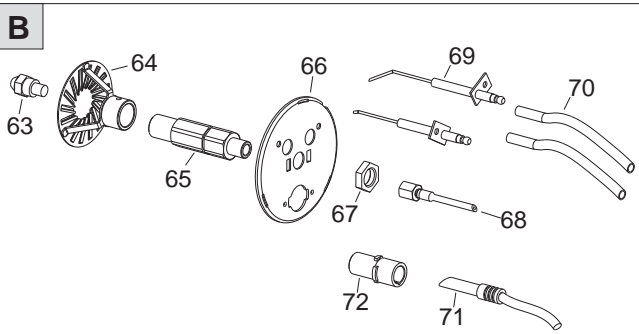
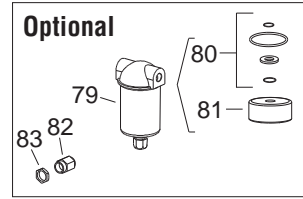
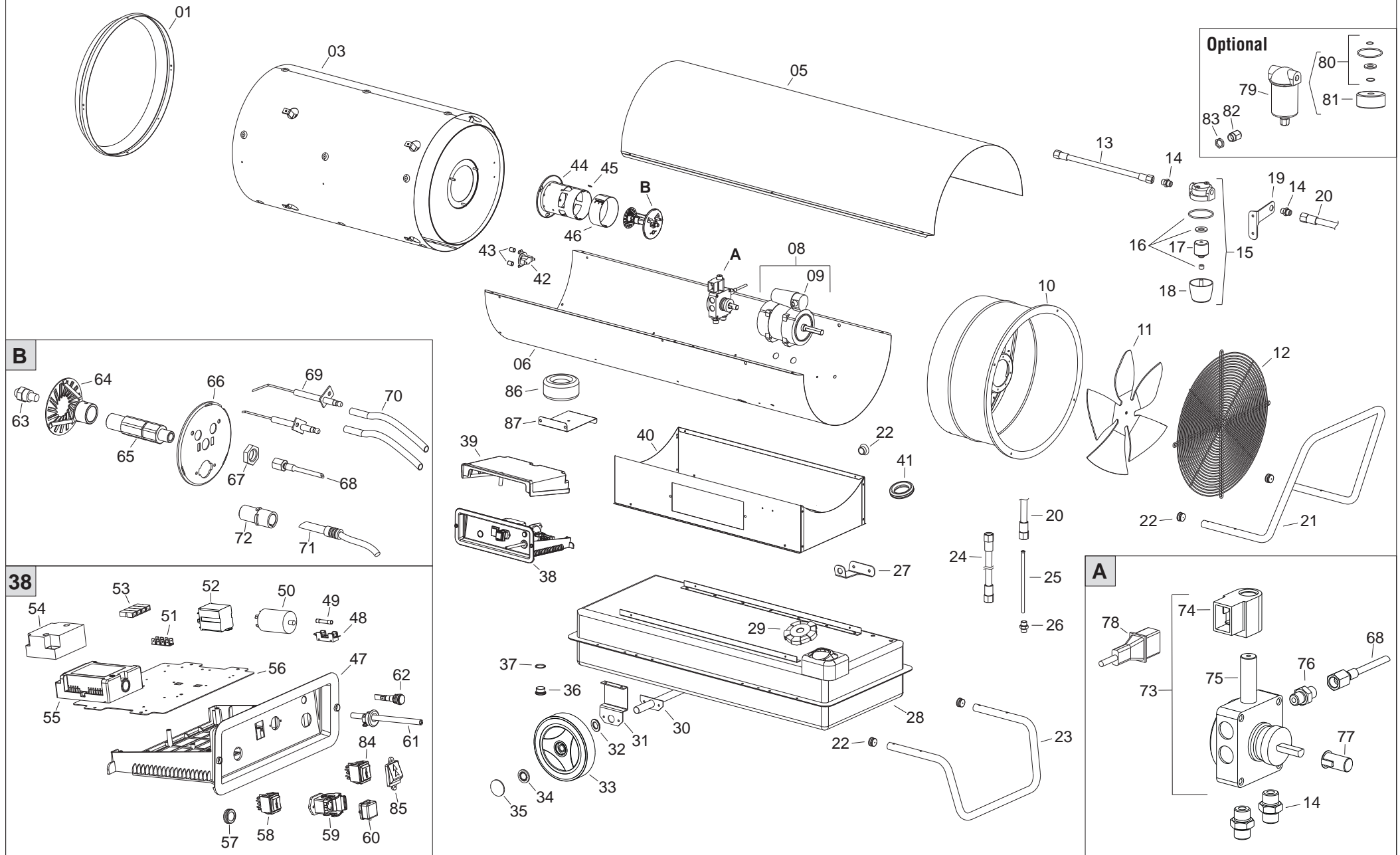


BIEMMEDUE S.p.A.

GE 65 DV



Da matr. N. - De matr. No. - Von Masch. Nr. - From number:		GE 65 DV		27200801	
Pos.	Cod.	LEGENDA	LEGENDE	NOMENKLATUR	PART LIST
01	G06302-3001	Cono diffusore	Embout conique	Ausblaskonus	Outlet cone
03	G06303	Camera di combustione	Chambre de combustion	Brennkammer	Combustion chamber
05	G06304-3001	Scocca superiore	Carrosserie sup.	Haube	Upper body
06	G06305-3001	Scocca inferiore	Carrosserie Inf.	Karosserie Unterteil	Lower body
08	E10693	Motore 450W c/condens.	Moteur 450W avec condensateur	Motor 450W mit Kondensator	Motor 450W with condenser
09	E11245	Condensatore 16 µF	Condensateur 16 µF	Kondensator 16 µF	Condenser 16 µF
10	G01461	Supporto motore ventola	Bride support moteur	Motor Flansch	Motor flange
11	T10202	Ventola Ø300 27°	Ventilateur Ø300 27°	Ventilator Ø300 27°	Fan Ø300 27°
12	P30103	Griglia aspirazione	Grille protection	Schutzgitter	Inlet grille
13	I40330	Tube BP 1/4" FF L.420 mm	Tube BP 1/4" FF L.420mm	Rohr BP 1/4" FF L.420mm	Tube BP 1/4" FF L.420mm
14	I20104	Nipplo FE 1/4" MM	Nipplo FE 1/4" MM	Nipplo FE 1/4" MM	Nipplo FE 1/4" MM
15	T20201	Filtro gasolio compl.	Filtre avec cartouche	Filter komp.	Filter with cartridge
16	T20234	Kit OR filtro gasolio	KIT OR filtre gasoil	Kit OR heizölfilter	OR KIToil filter
17	T20206	Cartuccia filtro	Cartouche filtre	Filterelement	Filter cartridge
18	T20212	Bicchiera filtro	Cuve filtre	Filtergehäuse	Filter housing
19	G06104-9005	Supporto filtro	Support	Stütze	Filter support
20	I40329	Tube BP 1/4" FF L.260mm	Tube BP 1/4" FF L.260mm	Rohr BP 1/4" FF L.260mm	Tube BP 1/4" FF L.260mm
21	P20174-9005	Maniglia	Poignée	Handgriff	Handle
22	C30319	Tappo copritesta Ø25	Bouchon Ø25	Gummifuss Ø25	Plug Ø25
23	P20175-9005	Piede	Pied	Fuß	Foot
24	I40331	Tube BP 1/4" F L.580 mm	Tube BP 1/4" F L.580mm	Rohr BP 1/4" F L.580mm	Tube BP 1/4" F L.580mm
25	I30696	Pescante L.220mm	Pascante L.220mm	Pascante L.220mm	Pascante L.220mm
26	I30737	Nipplo OT 1/4" M - M12x1,75 M	Nipplo OT 1/4" M - M12x1,75 M	Nipplo OT 1/4" M - M12x1,75 M	Nipplo OT 1/4" M - M12x1,75 M
27	G06068-9005	Gancio cavo alimentazione	Crochet câble d'alimentation	Haken Netzkabel	Power lead hook
28	G06110-9005	Serbatoio gasolio 65 l	Réservoir fuel 65 l	Tank 65 l	Fuel tank 65 l
29	C30356	Tappo bocchettone	Bouchon	Pfropfen	Drain plug
30	G06137-9005	Assale	Essieu	Achse	Wheel axle
31	G06106-9005	Staffa su assale ruote	Support on essieu roues	Bügel auf der elektrische Achse	Wheels axle support
32	M20110	Rondella Ø21 x Ø37 x 3 mm	Rondelle Ø21 x Ø37 x 3 mm	Abstandsring Ø21 x Ø37 x 3 mm	Washer Ø21 x Ø37 x 3 mm
33	C10544	Ruota Ø 250 - Ø 20	Roue Ø 250 - Ø 20	Rad Ø 250 - Ø 20	Wheel Ø 250 - Ø 20
34	M20203	Rondella el. block Ø 20	Clips de fixation Ø 20	Radverschluss Ø 20	Whell holder Ø 20
35	C10513-R	Borchia Pl. Rossa	Cabochoon	Deckel	Cover
36	I25020	Tappo Serbatoio M16x1,5	Bouchon de vidange	Abluss Propfen Oel	Drain plug
37	C30375	OR Ø16x 2,62	OR Ø16 x 2,62	OR Ø16 x 2,62	OR Ø16 x 2,62
38	G00307-DV	Quadro elettrico	Coffret électrique	Elektrokasten	El. componets drawer
39	P50127	Copertura quadro elettrico	Couverture coffret électrique	Abdeckung Schalttöfel	Control box cover
40	G06306-3001	Basamento	Base	Kastenträger	Base
41	C30372	Passatubo gomma Ø 35	Prot. caoutchouc Ø 35	Kabeltülle Ø 35	Protection cable Ø 35
42	E50102	Capsula termostatica Limit	Thermostat bilame Limit	Thermostat Limit	Limit Thermostat
43	G06072	Distanziale Ø8 x Ø6 x 9,5	Epaisseur Ø8 x Ø6 x 9,5	Abstandsstück Ø8 x Ø6 x 9,5	Sleeve Ø8 x Ø6 x 9,5
44	G06181	Boccaglio	Gueulard	Brennrohr	Blast tube
45	E20671	Morsettiera terra	Barrette de connection	Klemmreiche	Terminal board
46	G06183	Anello regolazione aria	Volet réglage air	Brennluftklappe	Air regulatoin flap
47	G06155	Supporto quadro elettrico	Support coffret électrique	Steuergeräthalerung	Electr. componets drawer
48	E20508	Porta fusibile	Porte fusible	Sicherungschalter	Fuse holder
49	E10323	Fusibile (6x30) 16A	Fusible (6x30) 16A	Sicherung (6x30) 16A	Fuse (6x30) 16A
51	E20319	Morsettiera terra	Barrette de connection	Klemmreiche	Terminal board
53	E20305	Morsettiera	Barrette de connection	Klemmreiche	Terminal board
54	E10920	Trasformatore A.T. TRK1 230V	Transformateur H.T. TRK1 230V	Zündtrafo H.T. TRK1 230V	Transformer H.T. TRK1 230V
55	E40129	Apparecchiatura GENIUS REDGUN02	Coffret GENIUS REDGUN02	Steuergerät GENIUS REDGUN02	Control box GENIUS REDGUN02

Da matr. N. - De matr. No. - Von Masch. Nr. - From number:

GE 65 DV

27200801

Pos.	Cod.	LEGENDA	LEGENDE	NOMENKLATUR	PART LIST
56	G06073	Piastra supporto elementi elettrici	Plaqu support	Tragplatte für elektrische Teile	Plate for electrical components
57	E20418	Protezione pulsante blocco	Protection button d'arrêt	Blockierschalterschutz	Stop button protection
58	E10102-P	Interruttore bipolare 0 - 1	Interrupteur 0 - 1	Schalter 0 - 1	Switch 0 - 1
59	E20640	Connettore presa 3P+T	Fiche thermostat 3P+T	Thermostat stecker 3P+T	Thermostat plug 3P+T
60	E20665	Tappo	Bouchon	Pfropfen	Drain plug
61	E30449	Cavo elettrico c/spina e pressacavo	Câble avec fiche et presse câble	Kabel mit steckdose und kabelpresse	El. wire with plug and cable fastener
62	E11030	Lampada 230V	Lampe 230V	Kontrolllampe 230V	Lamp 230V
63	T20360	Ugello 1,25 GPH 80°W	Gicleur 1,25 GPH 80°W	Düse 1,25 GPH 80°W	Nozzle 1,25 GPH 80°W
64	G01077	Deflettore centrato	Accroche flamme	Stauscheibe	Turbo disc
65	I33005	Cannotto portaugello	Support gicleur	Düsehalter	Nozzle support
66	G06228	Flangia supp. Bruciatore Ø 102mm	Bride Brûleur Ø 102mm	Brenner Flansch Ø 102mm	Burner flange Ø 102mm
67	I31034	Controdado OT. M14	Ecrou M14	Mutter M14	Nut M14
68	I40192	Microtubo	Microtube	Microschlauch	Micropipe
69	E10215	Elettrodo c/piastrina	Électrode	Elektrode	Electrode
70	G02075	Cavo A.T. L=1000 mm	Conn. câble H.T. L=1000 mm	H.S. Anschluß L=1000 mm	H.T. Cable connect. L=1000 mm
71	E40131	Fotoresistenza GENIUS	Photoresis. GENIUS	Fotozelle GENIUS	Ld ph. Unit GENIUS
72	E50327	Protezione fotoresistenza	Photoresistance protection	Photozellenschutz	Protection de la photoresistance
73	T20410	Pompa BFP21 R3 Danfoss	Pompe BFP21 R3 Danfoss	Pumpe BFP21 R3 Danfoss	Pump Danfoss BFP21 R3 Danfoss
74	T20114	Bobina E.V. Danfoss	Bobine E.V. Danfoss	Spule Danfoss	Solenoid spool Danfoss
75	T20117	Corpo E.V. Danfoss	Electrovanne Danfoss	Magnetventil Danfoss	Solenoid valve Danfoss
76	I20115	Nipplo FE 1/8" MM	Nipplo FE 1/8" MM	Nipplo FE 1/8" MM	Nipplo FE 1/8" MM
77	E10698	Giunto Pl. mot.-pompa	Accouplement Pl.	PlastikKuplung	Coupling
78	T20442	Cavo elettrovalvola	Cable electrovanne	Anschlußkabel für Magnetventil	Solenoid valve cable
79	T20240	Filtro gasolio c/preriscaldamento 1/4" 220V	Filtre pre-chauffage 1/4" 220V	Heizölvorwärmfilter 1/4" 220V	Oil pre-heaters filter 1/4" 220V
80	T20241	Kit OR filtro gasolio	KIT OR filtre gasoil	Kit OR heizölfilter	OR KIToil filter
81	T20242	Cartuccia filtro	Cartouche filtre	Filterelement	Filter cartridge
82	E20953	Pressacavo PL. PG11	Embout fixe-cable PG11	Kabelhalter PG11	Cable holder PG11
83	E20954	Ghiera PL PG11	Embout PG11	Nutmutter PG11	Ring nut PG11
84	E10110N-P	Commutatore I - II	Interrupteur I - II	Schalter I - II	Switch I - II
85	E20406	Protezione per commutatore	Protection pour interrupteur	Schalterschutz	Switch plastic profile
86	E10838	Trasformatore 750 VA	Transformateur 750 VA	Zündtrafo 750 VA	Transformer 750 VA
87	G06250	Supporto trasformatore	Support transformateur		Transformer support